

Air Filters

Inlet silencers

1. Description

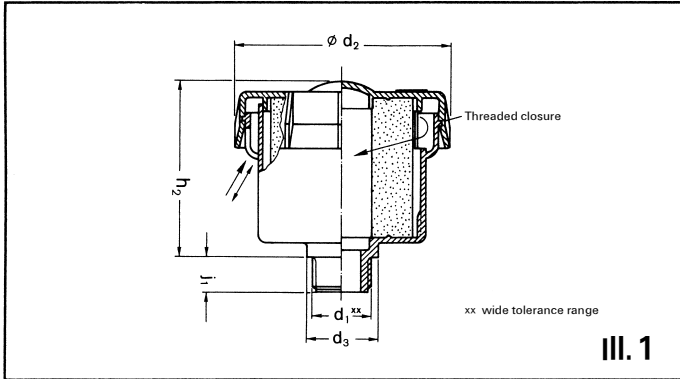
Good filtration is not only highly important in machines which take in air like compressors, vacuum pumps and combustion engines, good inlet silencing is also becoming increasingly vital. The range described below offers a wide choice of high performance filter types for this application. The range includes some types with oil-wetted inserts which can be rinsed out for small compressors for the hobby and manual crafts sector.

All of the filters are distinguished by their good filtering efficiency and high contamination absorption properties.

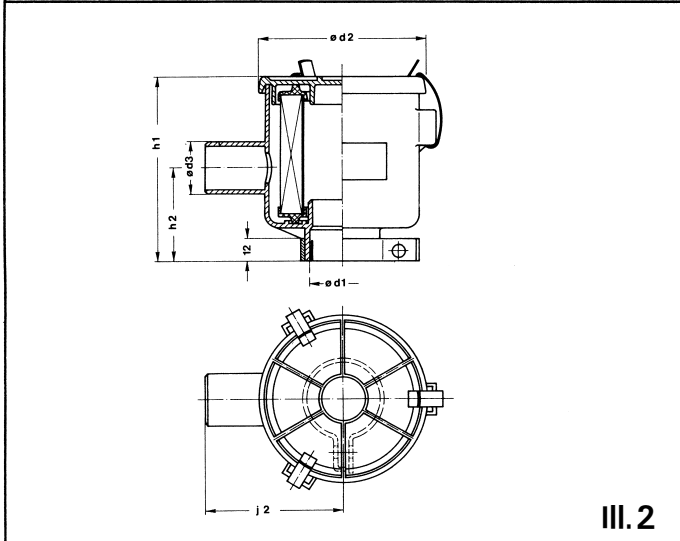
- **compact design**
- **ease of handling**
- **fitted with high efficiency filter elements**
- **world-wide sales**



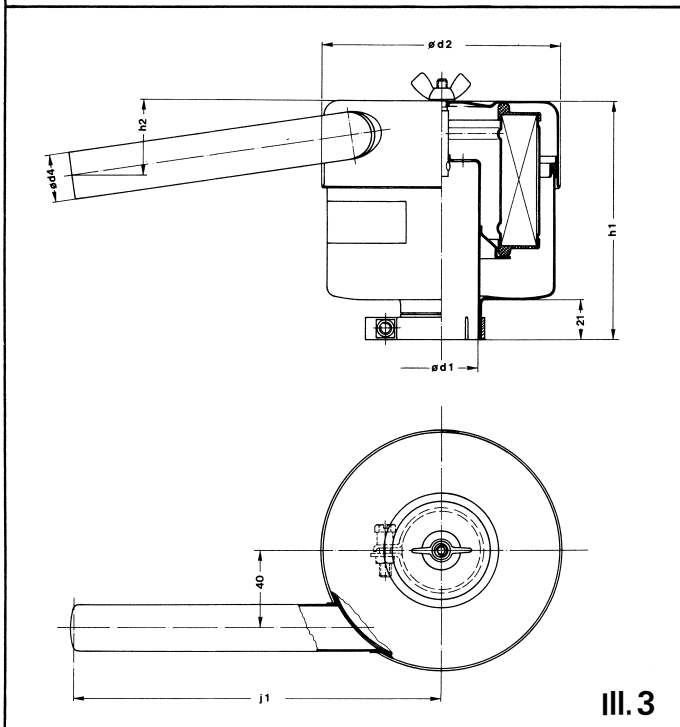
2. Illustrations



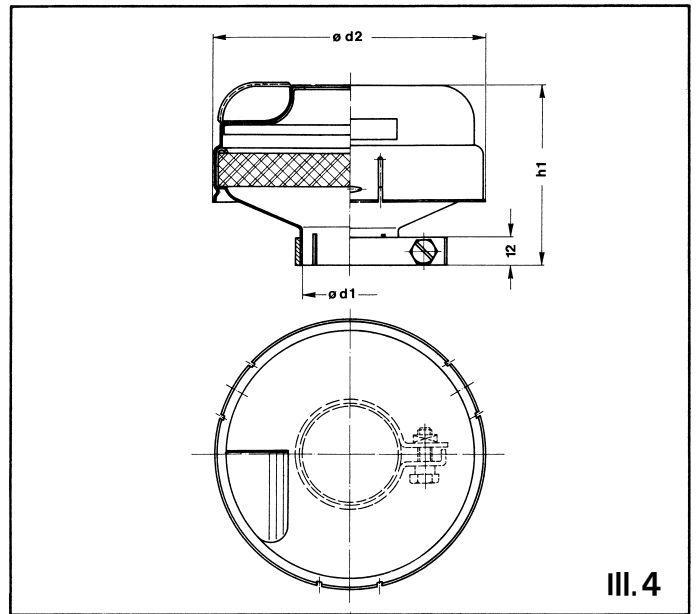
III.1



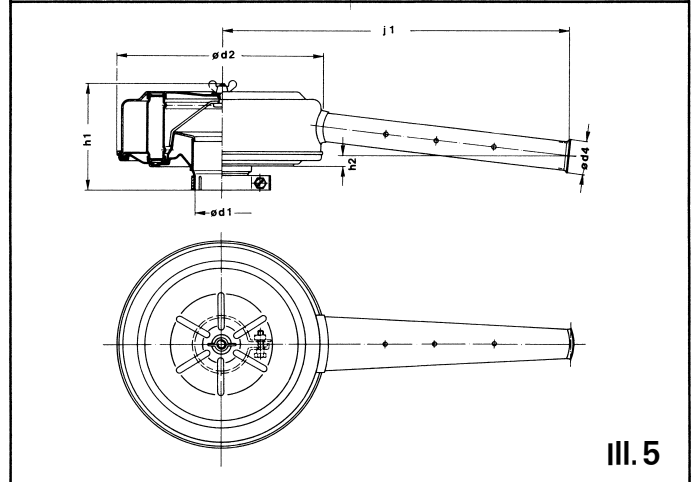
III.2



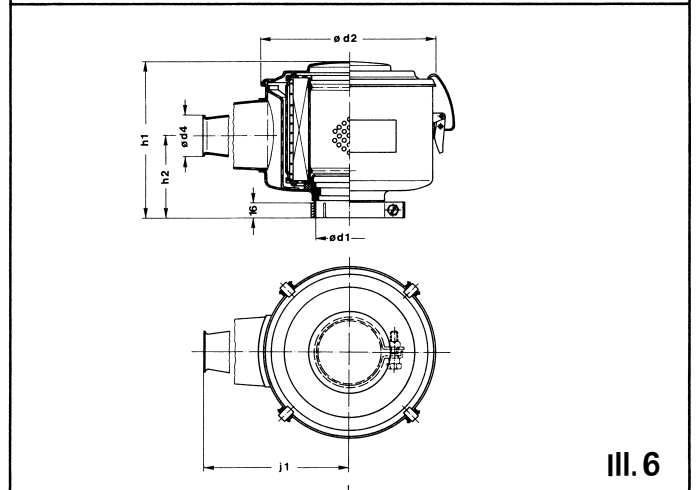
III.3



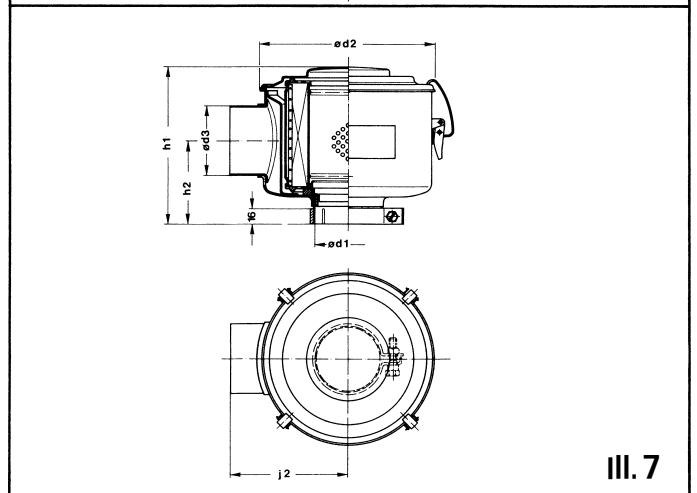
III.4



III.5



III.6

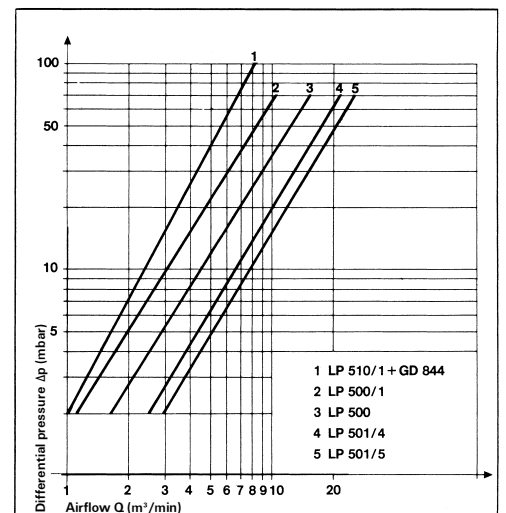
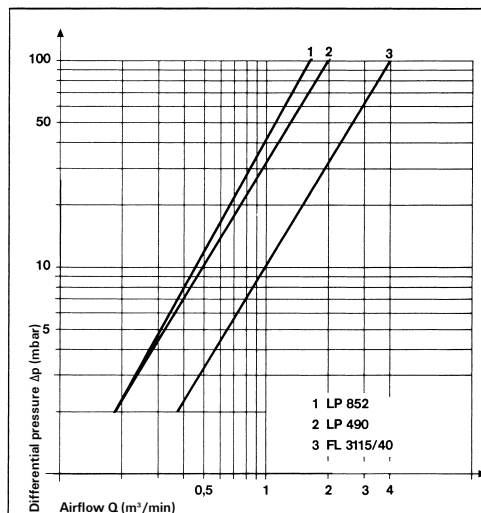
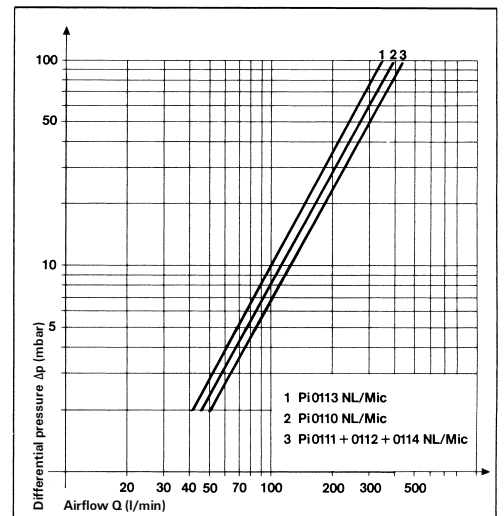


III.7

3. Dimensions

Type number	Illustration	Air throughput at 10 mbar (m ³ /min)	d ₁	d ₂	d ₃	d ₄	j ₁	j ₂	h ₁	h ₂
Pi 0110 NL	1	0,11	M 16x1,5	80	21	–	12	–	–	67
Pi 0111 NL	1	0,12	M 22x1,5	80	27	–	13	–	–	67
Pi 0112 NL	1	0,12	G ½	80	26	–	13	–	–	67
Pi 0113 NL	1	0,10	G ¾	80	22	–	12	–	–	67
Pi 0114 NL	1	0,12	G ¾	80	32	–	15	–	–	67
Pi 0110 Mic	1	0,11	M 16x1,5	80	21	–	12	–	–	67
Pi 0111 Mic	1	0,12	M 22x1,5	80	27	–	13	–	–	67
Pi 0112 Mic	1	0,12	G ½	80	26	–	13	–	–	67
Pi 0113 Mic	1	0,10	G ¾	80	22	–	12	–	–	67
Pi 0114 Mic	1	0,12	G ¾	80	32	–	15	–	–	67
LP 852	2	0,45	35	89	28	–	–	73	98	52
LP 490	3	0,5	40	128	–	25	189	–	126	39
FL 3115/40	4	1,0	40	115	–	–	–	–	75	–
LP 510/1	5	2,4	55	216	–	30	368	–	113	9
GD 844	5	2,4	55	216	–	30	368	–	113	9
LP 500/1	6	3,2	70	185	–	38	300	–	166	88
LP 500	7	4,6	70	185	75	–	–	125	166	88
LP 501/4	6	6,7	100	228	–	60	400	–	183	92
LP 501/5	7	7,7	100	228	100	–	–	145	183	92

4. Performance graphs/Filter complete



5. Specifications

Type	Inlet silencer	Material: Filter element	Mic Paper
Material: Housing		AG../EL../852...	● Filtration efficiency approx. 6 µm ○ approx. 10 µm
LP 852	Glass fibre reinforced polyamide	T*	natural fibre
Pi 01...		FL*	steel mesh
Any other	Painted steel sheet	NL*	foam
Seals	NBR		

* These cartridges may be cleaned by rinsing them in benzene. After cleaning, dip T and FL in clean SAE 20 motor oil and allow to drip for approx. 30 minutes.

6. Order numbers

6. Filter complete		6.1 Filter elements		6.2 Filter material
Order number	Type number	Order number	Type number	
774.940.1	Pi 0110 NL	–	–	Foam
774.941.9	Pi 0111 NL	–	–	Foam
774.942.7	Pi 0112 NL	–	–	Foam
774.943.5	Pi 0113 NL	–	–	Foam
774.944.3	Pi 0114 NL	–	–	Foam
773.470.0	Pi 0110 Mic	768.764.3	852.507 Mic	Mic-Paper ●
773.473.4	Pi 0111 Mic	768.764.3	852.507 Mic	Mic-Paper ●
773.476.7	Pi 0112 Mic	768.764.3	852.507 Mic	Mic-Paper ●
773.479.1	Pi 0113 Mic	768.764.3	852.507 Mic	Mic-Paper ●
773.482.5	Pi 0114 Mic	768.764.3	852.507 Mic	Mic-Paper ●
613.279.9	LP 852	773.634.1	LX 279 *(AG 229)	Mic-Paper ○
201.127.8	LP 490	771.513.9	LX 191 *(EL 458)	Mic-Paper ○
072.140.7	FL 3115/40	–	–	Metal mesh
130.376.7	LP 510/1	771.544.4	LX 394 *(EL 461/4)	Mic-Paper ○
072.302.3	GD 844	778.675.9	T 20.2	Natural fibre
071.778.5	LP 500/1	771.552.7	LX 247 *(AG 10)	Mic-Paper ○
071.777.7	LP 500	771.552.7	LX 247 *(AG 10)	Mic-Paper ○
705.389.5	LP 501/4	778.736.9	LX 248 *(AG 11)	Mic-Paper ○
711.576.9	LP 501/5	778.736.9	LX 248 *(AG 11)	Mic-Paper ○

*() Former type number

Subject to technical alteration



MAHLE Filtersysteme GmbH

Bereich Industriefilter · Schleifbachweg 45 · D-74613 Öhringen · Postfach 13 09 · D-74603 Öhringen
Telefon (0 79 41) 67-0 · Telefax (0 79 41) 67-429 · Internet: <http://www.mahle.com> · E-mail: ub2_industrie@mahle.com