

IC3304



- ▶ COAX® patented technology
- ▶ Compact design
- ▶ Easy to install
- ▶ Antistatic filter and sealings

TECHNICAL DATA

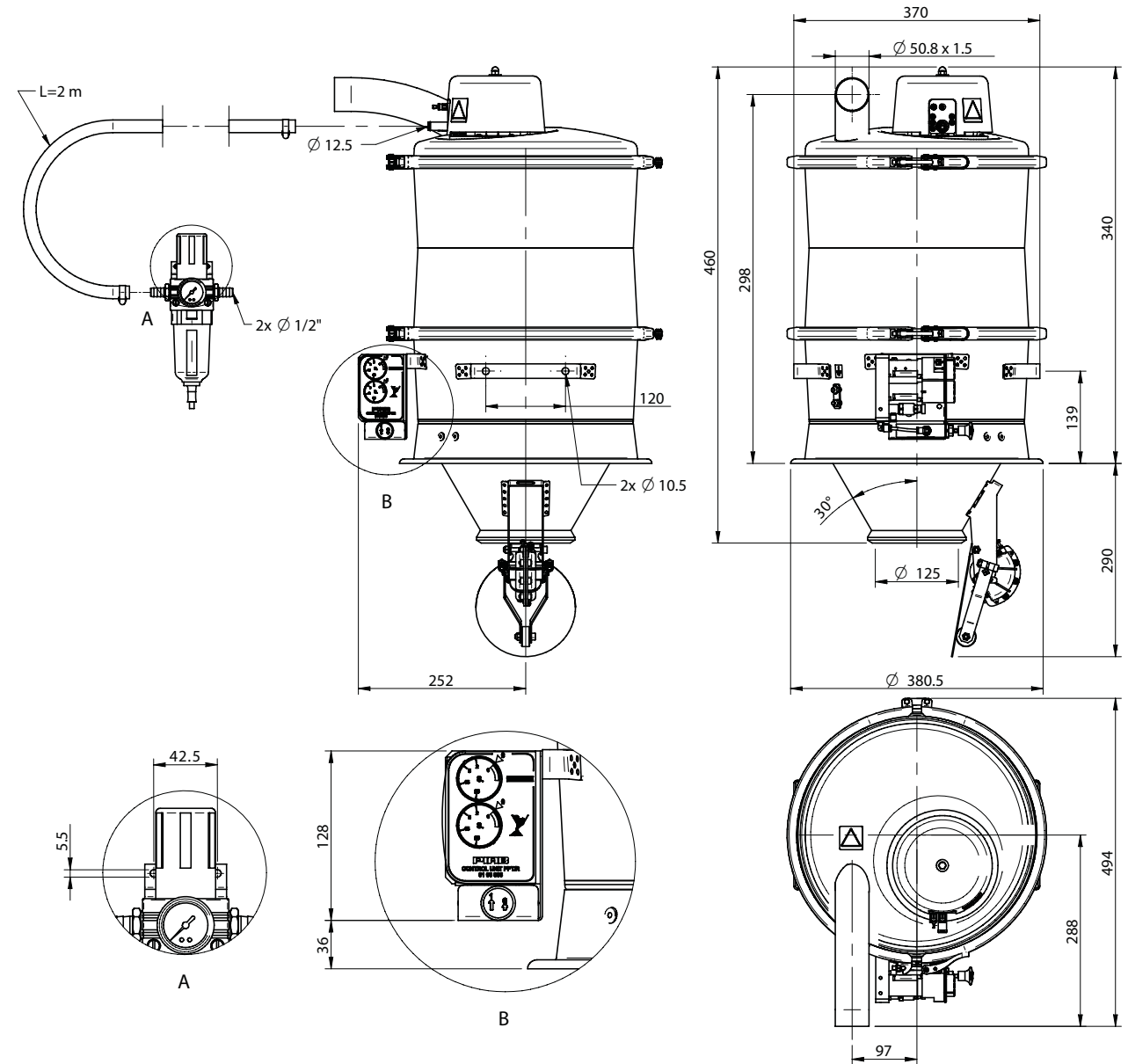
Description	Unit	Value
Feed pressure	MPa	0.4–0.6
Air consumption	l/s	15–21
Vacuum	-kPa	60–75
Noise level	dB(A)	72–76
Material		Fe, Zn, NBR, PA, Al
Temperature range	°C	0–50
Weight	kg	15.6
Filter area	m ²	0.14
Batch volume	l	9
Pipe dimension	mm	51

CAPACITY

Capacity ton/h at different conveying distances			
5 m	10 m	20 m	30 m
2.0	1.5	1.0	0.7

ORDERING INFORMATION

Description	Art. No.
Conveyor IC3304	0111539



Conveyors IC IC33

ORDERING INFORMATION, ACCESSORIES

Description	Art. No.
Container module cpl, short	0111563
Container module cpl, tall	0111562