

## P6010 PCC



- ▶ COAX® P6010 multistage ejector with Pi, Si or Xi vacuum cartridge(s).
- ▶ PPC , PIAB Cruise Control, is programmable for constant vacuum level or blow-pressure level in the system
- ▶ Quick adjustment
- ▶ Easy to install in control systems
- ▶ Low power consumption, 24 VDC/120 mA
- ▶ Integrated analogue vacuum or blow-pressure sensor

Supplied with a vacuum gauge.

### TECHNICAL DATA

Description	Unit	Value
Feed pressure, max.	MPa	1.0
Noise level	dBA	50–70
Temperature range	°C	3–50
Weight	g	2100–2200
Material		Al, PA, NBR, SS, AiSi302
Voltage supply	VDC	24 (21.8–26.4)
Current consumption	mA	<120
Voltage signal, input	VDC	0–10
Scale factor signal in, vacuum	-kPa	0–90
Safety classification		IP65

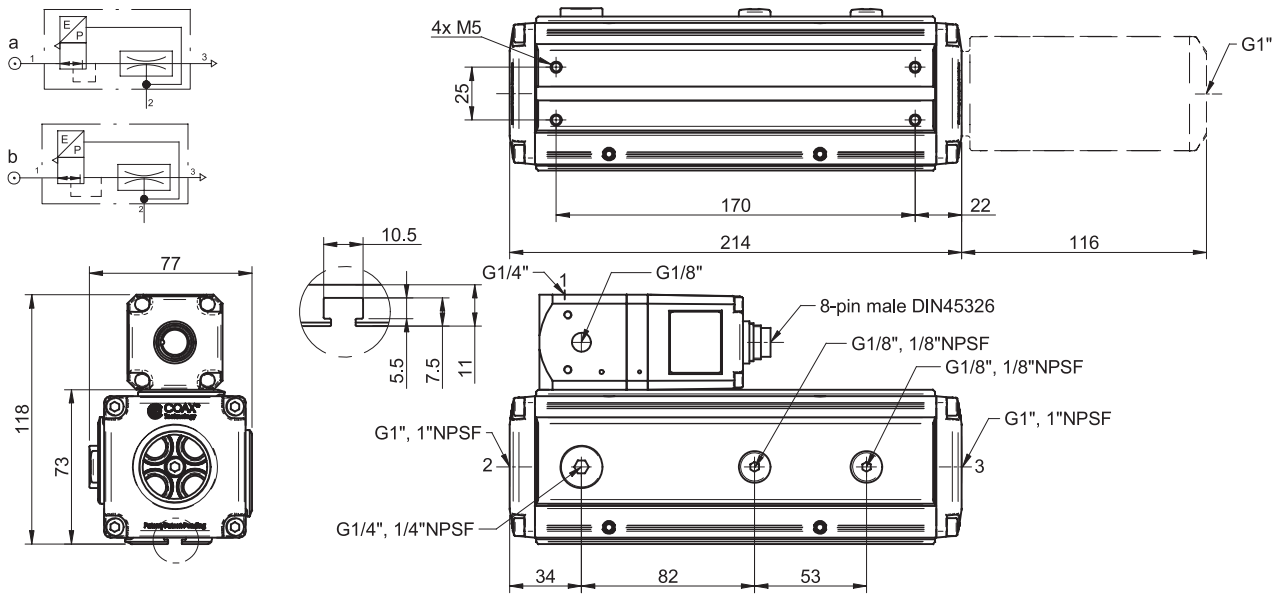
*The design of PCC requires that the inlet pressure is 0.1 MPa higher than the outlet pressure.*

### PERFORMANCE TABLES

Depending upon choice of COAX® Cartridge, applicable performance data of the P6010 PCC can be found in the tables for vacuum flow, evacuation time and blow flow for models P6010 Pi, Si and Xi.

## ORDERING INFORMATION

1. Housing		P6010 Code
Housing		P6010
2. COAX® cartridge modules		P6010 code
	COAX® cartridge module blind x4	AA
a	COAX® cartridge module Pi48-3X1	AJ
a	COAX® cartridge module Pi48-3X2	AK
a	COAX® cartridge module Pi48-3X3	AL
a	COAX® cartridge module Pi48-3X4	AM
b	COAX® cartridge module Pi48-3X1, non-return valve	AN
b	COAX® cartridge module Pi48-3X2, non-return valve	AO
b	COAX® cartridge module Pi48-3X3, non-return valve	AP
b	COAX® cartridge module Pi48-3X4, non-return valve	AQ
a	COAX® cartridge module Si32-3X1	AB
a	COAX® cartridge module Si32-3X2	AC
a	COAX® cartridge module Si32-3X3	AD
a	COAX® cartridge module Si32-3X4	AE
b	COAX® cartridge module Si32-3X1, non-return valve	AF
b	COAX® cartridge module Si32-3X2, non-return valve	AG
b	COAX® cartridge module Si32-3X3, non-return valve	AH
b	COAX® cartridge module Si32-3X4, non-return valve	AI
a	COAX® cartridge module Xi40-3X1	AR
a	COAX® cartridge module Xi40-3X2	AS
a	COAX® cartridge module Xi40-3X3	AT
a	COAX® cartridge module Xi40-3X4	AU
b	COAX® cartridge module Xi40-3X1, non-return valve	AV
b	COAX® cartridge module Xi40-3X2, non-return valve	AW
b	COAX® cartridge module Xi40-3X3, non-return valve	AX
b	COAX® cartridge module Xi40-3X4, non-return valve	AY
3. Mounting		P6010 Code
Mounting T-slot, Cover plate with PIAB label		01
4. Cover plates		P6010 Code
Function PCC Vacuum, cover plate G thread connections		LB
Function PCC Blow, cover plate G thread connections		LR
Function PCC Blow, cover plate NPSF thread connections		LS
Function PCC Vacuum, cover plate NPSF thread connections		LT
5. Select Connections for vacuum and exhaust		P6010 Code
Connections 2x G1"		51
Connections 2x G1", silencer 1"		52
Connections 2x G3/4"		53
Connections 2x G3/4", silencer 3/4"		54
Connections 2x 1" NPSF		55
Connections 2x 1" NPSF, silencer 1"		56
Connections 2x 3/4" NPSF		57
Connections 2x 3/4" NPSF, silencer 3/4"		58
Example		Ordering number
P6010 Si32-3X2, Mounting T-slot, Cover plate with PCC vacuum function and G-threads, Connections 2x G1" and silencer 1"		P6010 AC 01 LB 52



## ORDERING INFORMATION, ACCESSORIES

Description	Art. No.
Silencer G1"	0112499
Silencer 1" NPSF	0113003
Manometer 1 MPa	0112532
Cable M16 8-pin female, angled 90°, L=3m	0112395
Cable M16 8-pin female, straight, L=3m	0112393